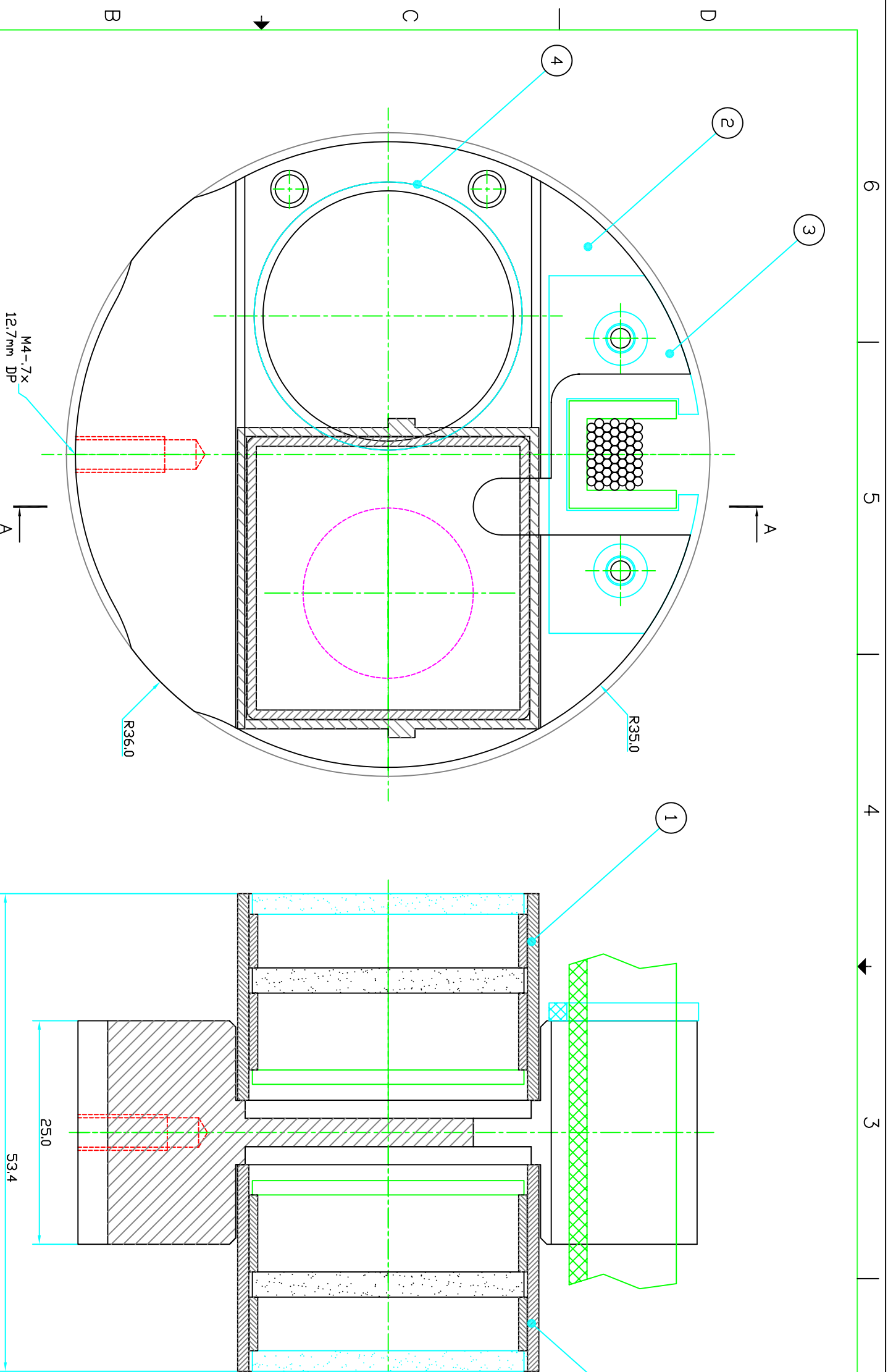


ZONE	REV	DESCRIPTION	DATE	APPROVED

DWG NUMBER	LENS FOCAL LENGTH (mm)	BAR
220.69.02.00	500	EEL-EES
-01	400	EES_SCI4



PNO/REF #	QTY	UOM	PART NAME	MATERIAL	PART DESCRIPTION	REF. SHEET/DWG.
4	1	EA	LENS1		Ø30 OD (SEE TABLE FOR THE FOCAL LENGTH)	220.53.01
3	1	EA	HOLDER	TEFLON	SUPPLIED	220.59.00
2	1	EA	mask disk72	AL 6061	ASSEMBLY	
1	1	EA	MASK			

UNLESS OTHERWISE SPECIFIED:

PARTS LIST

PARTS LIST	PERMISSIBLE VARIATION IN INCH DIMENSIONS WITHOUT TOLERANCES	MACHINING TOLERANCES
1. DIMENSIONS ARE IN INCHES.		
2. MACHINE SURFACES TO BE FLAT, SQUARE, PARALLEL, & CONCENTRIC WITHIN .001 FOR 5 INCHES OR .001 THE AS APPLICABLE.		
3. MARK ALL DETAILS (EXCEPT COMMERCIAL PARTS) WITH DIM.		
4. HOLE NUMBER.		
5. RILETS SHOWN SHARP UNLESS NOTED OTHERWISE.		
6. TAPPED HOLES UNLESS CLASS 2B THREAD, MIN DEPTH 1.5 x DIA.		
7. CHAMF BORED & REAMED HOLES 1/16 x 45°.		
8. CENTERS PERMISSIBLE.		
9. DO NOT SCALE DRAWING.		
10. ALL WELDING TO CONFORM TO LATEST AWS STANDARDS		

NOTE:

-THE PARTS 1&2 HAVE TO BE GLUED TOGETHER.
-SIZES IN MM

DATE	BY	CHKD	APPV	TITLE
06/26/08	JD	ES		ALIGNMENT INBAR (72 mm BAR ID) EE MASK STATION

PROJECT NUMBER: 220

DRAWING NUMBER: 220.69.02.00

SHEET: 1 OF 1

REVISION: A

